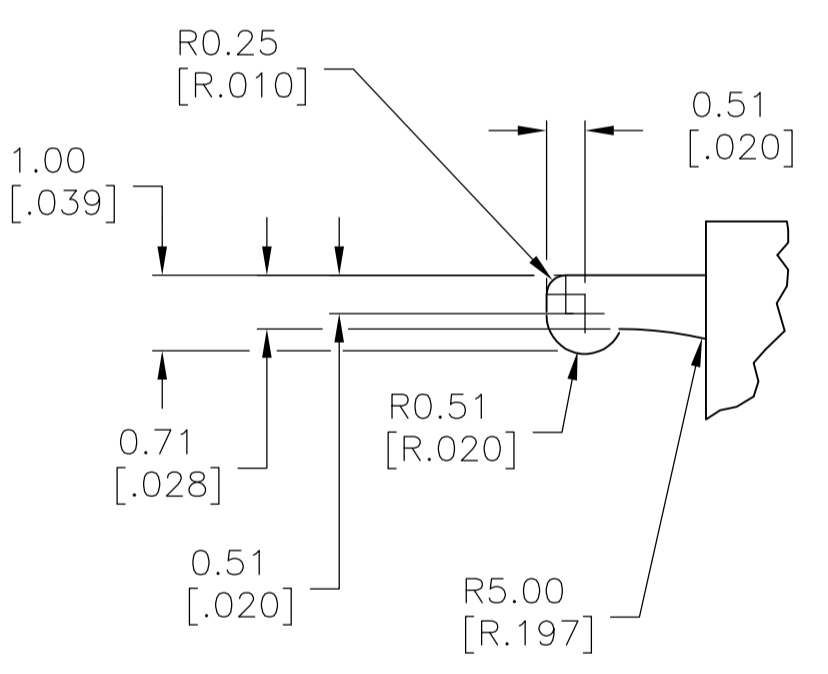
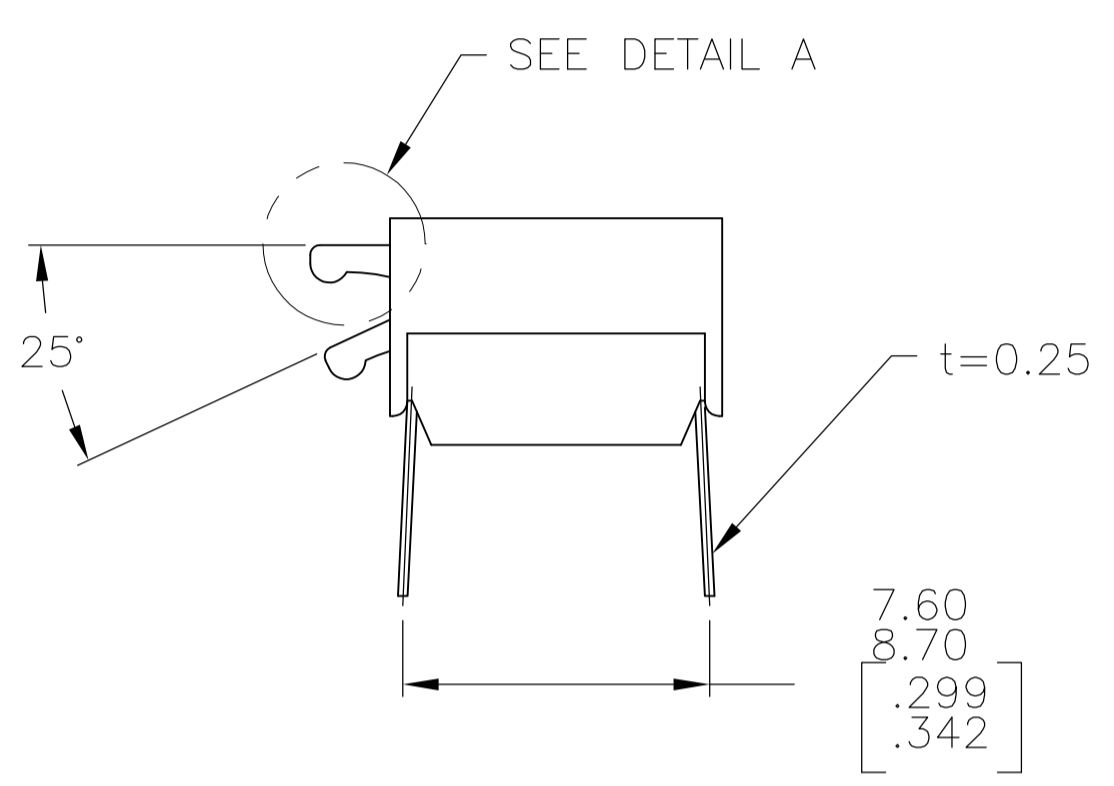
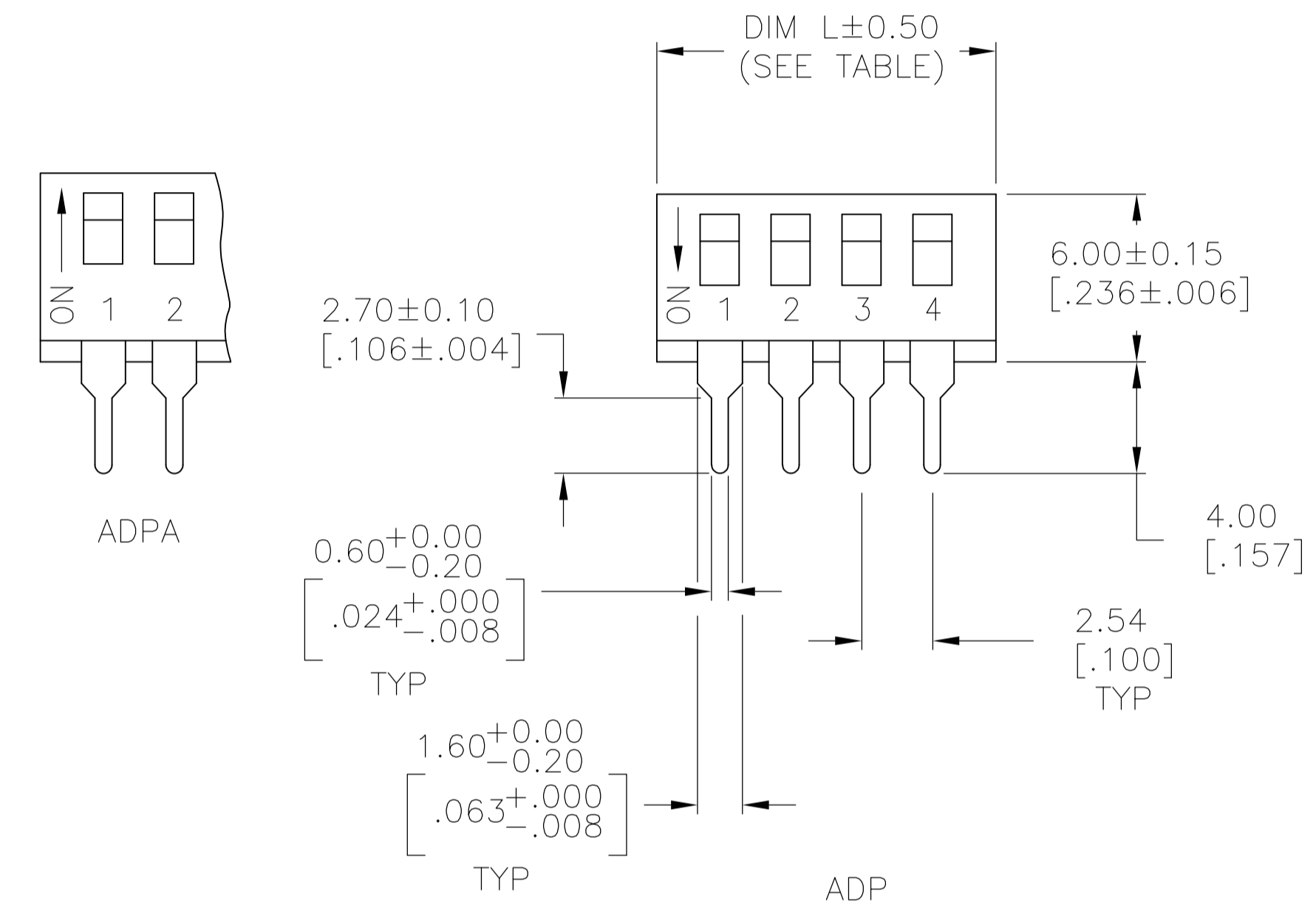


RECOMMENDED HOLE LAYOUT



DETAIL A SCALE: 10:1



| DESCRIPTION | QTY | LEAD | DATE | REV | DESCRIPTION | DATE | REV | DESCRIPTION | DATE | REV |
|-------------|-----------------------|-----------------------|---------------|-----|--------------|------|-----|-------------|------|-----|
| TUBE | 10 | 27.38 [1.078] | | | ADPA10SA04 | | | 6-1571999-4 | | |
| TUBE | 10 | 27.38 [1.078] | | | ADPA10S04 | | | 6-1571999-3 | | |
| TUBE | 10 | 27.38 [1.078] | | | ADPA1004 | | | 6-1571999-2 | | |
| TUBE | 9 | 24.84 [.978] | | | ADPA09SA04 | | | 6-1571999-1 | | |
| TUBE | 9 | 24.84 [.978] | | | ADPA09S04 | | | 6-1571999-0 | | |
| TUBE | 9 | 24.84 [.978] | | | ADPA0904 | | | 5-1571999-9 | | |
| TUBE | 8 | 22.30 [.878] | | | ADPA08SA04 | | | 5-1571999-8 | | |
| TUBE | 8 | 22.30 [.878] | | | ADPA08S04 | | | 5-1571999-7 | | |
| TUBE | 8 | 22.30 [.878] | | | ADPA0804 | | | 5-1571999-6 | | |
| TUBE | 7 | 19.76 [.778] | | | ADPA07SA04 | | | 5-1571999-5 | | |
| TUBE | 7 | 19.76 [.778] | | | ADPA07S04 | | | 5-1571999-4 | | |
| TUBE | 7 | 19.76 [.778] | | | ADPA0704 | | | 5-1571999-3 | | |
| TUBE | 6 | 17.22 [.678] | | | ADPA06SA04 | | | 5-1571999-2 | | |
| TUBE | 6 | 17.22 [.678] | | | ADPA06S04 | | | 5-1571999-1 | | |
| TUBE | 6 | 17.22 [.678] | | | ADPA0604 | | | 5-1571999-0 | | |
| TUBE | 5 | 14.68 [.578] | | | ADPA05SA04 | | | 4-1571999-9 | | |
| TUBE | 5 | 14.68 [.578] | | | ADPA05S04 | | | 4-1571999-8 | | |
| TUBE | 5 | 14.68 [.578] | | | ADPA0504 | | | 4-1571999-7 | | |
| TUBE | 4 | 12.14 [.478] | | | ADPA04SA04 | | | 4-1571999-6 | | |
| TUBE | 4 | 12.14 [.478] | | | ADPA04S04 | | | 4-1571999-5 | | |
| TUBE | 4 | 12.14 [.478] | | | ADPA0404 | | | 4-1571999-4 | | |
| TUBE | 2 | 7.06 [.278] | | | ADPA02SA04 | | | 4-1571999-3 | | |
| TUBE | 2 | 7.06 [.278] | | | ADPA02S04 | | | 4-1571999-2 | | |
| TUBE | 2 | 7.06 [.278] | | | ADPA0204 | | | 4-1571999-1 | | |
| OBSOLETE | TAPE & REEL SWITCH ON | 10 | 27.38 [1.078] | | ADP10STRON04 | | | 4-1571999-0 | | |
| TAPE & REEL | 10 | 27.38 [1.078] | | | ADP10STR04 | | | 3-1571999-9 | | |
| OBSOLETE | TUBE | 10 | 27.38 [1.078] | | ADP10SA04 | | | 3-1571999-8 | | |
| TUBE | 10 | 27.38 [1.078] | | | ADP10S04 | | | 3-1571999-7 | | |
| TUBE | 10 | 27.38 [1.078] | | | ADP1004 | | | 3-1571999-6 | | |
| OBSOLETE | TAPE & REEL SWITCH ON | 9 | 24.84 [.978] | | ADP09STRON04 | | | 3-1571999-5 | | |
| TAPE & REEL | 9 | 24.84 [.978] | | | ADP09STR04 | | | 3-1571999-4 | | |
| OBSOLETE | TUBE | 9 | 24.84 [.978] | | ADP09SA04 | | | 3-1571999-3 | | |
| TUBE | 9 | 24.84 [.978] | | | ADP09S04 | | | 3-1571999-2 | | |
| TUBE | 9 | 24.84 [.978] | | | ADP0904 | | | 3-1571999-1 | | |
| OBSOLETE | TAPE & REEL SWITCH ON | 8 | 22.30 [.878] | | ADP08STRON04 | | | 3-1571999-0 | | |
| TAPE & REEL | 8 | 22.30 [.878] | | | ADP08STR04 | | | 2-1571999-9 | | |
| OBSOLETE | TUBE | 8 | 22.30 [.878] | | ADP08SA04 | | | 2-1571999-8 | | |
| TUBE | 8 | 22.30 [.878] | | | ADP08S04 | | | 2-1571999-7 | | |
| TUBE | 8 | 22.30 [.878] | | | ADP0804 | | | 2-1571999-6 | | |
| OBSOLETE | TAPE & REEL SWITCH ON | 7 | 19.76 [.778] | | ADP07STRON04 | | | 2-1571999-5 | | |
| TAPE & REEL | 7 | 19.76 [.778] | | | ADP07STR04 | | | 2-1571999-4 | | |
| OBSOLETE | TUBE | 7 | 19.76 [.778] | | ADP07SA04 | | | 2-1571999-3 | | |
| TUBE | 7 | 19.76 [.778] | | | ADP07S04 | | | 2-1571999-2 | | |
| TUBE | 7 | 19.76 [.778] | | | ADP0704 | | | 2-1571999-1 | | |
| OBSOLETE | TAPE & REEL SWITCH ON | 6 | 17.22 [.678] | | ADP06STRON04 | | | 2-1571999-0 | | |
| TAPE & REEL | 6 | 17.22 [.678] | | | ADP06STR04 | | | 1-1571999-9 | | |
| TUBE | 6 | 17.22 [.678] | | | ADP06SA04 | | | 1-1571999-8 | | |
| TUBE | 6 | 17.22 [.678] | | | ADP06S04 | | | 1-1571999-7 | | |
| TUBE | 6 | 17.22 [.678] | | | ADP0604 | | | 1-1571999-6 | | |
| OBSOLETE | TAPE & REEL SWITCH ON | 5 | 14.68 [.578] | | ADP05STRON04 | | | 1-1571999-5 | | |
| TAPE & REEL | 5 | 14.68 [.578] | | | ADP05STR04 | | | 1-1571999-4 | | |
| OBSOLETE | TUBE | 5 | 14.68 [.578] | | ADP05SA04 | | | 1-1571999-3 | | |
| TUBE | 5 | 14.68 [.578] | | | ADP05S04 | | | 1-1571999-2 | | |
| TUBE | 5 | 14.68 [.578] | | | ADP0504 | | | 1-1571999-1 | | |
| OBSOLETE | TAPE & REEL SWITCH ON | 4 | 12.14 [.478] | | ADP04STRON04 | | | 1-1571999-0 | | |
| TAPE & REEL | 4 | 12.14 [.478] | | | ADP04STR04 | | | 1571999-9 | | |
| TUBE | 4 | 12.14 [.478] | | | ADP04SA04 | | | 1571999-8 | | |
| TUBE | 4 | 12.14 [.478] | | | ADP04S04 | | | 1571999-7 | | |
| TUBE | 4 | 12.14 [.478] | | | ADP0404 | | | 1571999-6 | | |
| OBSOLETE | TAPE & REEL SWITCH ON | 2 | 7.00 [.276] | | ADP02STRON04 | | | 1571999-5 | | |
| TAPE & REEL | 2 | 7.00±0.50 [.276±.020] | | | ADP02STR04 | | | 1571999-4 | | |
| TUBE | 2 | 7.00±0.50 [.276±.020] | | | ADP02SA04 | | | 1571999-3 | | |
| TUBE | 2 | 7.00±0.50 [.276±.020] | | | ADP02S04 | | | 1571999-2 | | |
| TUBE | 2 | 7.00±0.50 [.276±.020] | | | ADP0204 | | | 1571999-1 | | |
| PACKAGING | Pole | Dim L | Old T&B P/N | P/N | | | | | | |

SPECIFICATIONS:

MATERIAL:
CASE: PPS 94V-0, BLACK
COVER: PPS 94V-0, BLACK
ACTUATOR: NYLON PA6T 94V-0, WHITE
MOVING CONTACT: COPPER ALLOY, GOLD OVER NICKEL PLATE.
FIXED CONTACT/TERMINAL: COPPER ALLOY, GOLD OVER NICKEL PLATE.

ELECTRICAL:
CONTACT RATING: MAX RATING (SWITCHING) 100 MILLIAMPS @ 24V DC,
MIN (SWITCHING) 0.10 MICROAMPS @1 MILLIVOLT,
MAX (NON-SWITCHING) 1 AMP @ 5V DC INITIAL
CONTACT RESISTANCE: 50 MILLIOHMS MAX.
INSULATION RESISTANCE: 100 MEGOHMS MIN. @ 100 VDC.
DIELECTRIC STRENGTH: 500 VAC. LIFE EXPECTANCY: 1000 CYCLES MIN.

MECHANICAL:
ACTUATION FORCE: 800g MAX.

ENVIRONMENTAL:
OPERATING TEMPERATURE: -22°F TO +185°F (-30°C TO +85°C).
STORAGE TEMPERATURE: -49°F TO +212°F (-45°C TO +100°C).
SOLDER HEAT RESISTANCE TO 265±3°C FOR 8±2 SECONDS.
SOLDERABILITY PER JIS C 0050 & JIS C 0053

- CONTACT PRESSURE: 280,000 PSI.
 - CLEANING: AQUEOUS SOLUTION OR SOLVENT.
 - PACKAGING OPTIONS- CLEAR TUBES OR TAPE AND REEL PER EIA-481 SWITCH SUPPLIED IN THE "OFF" POSITION UNLESS "ON" IS SPECIFIED IN THE ALCO PART NUMBER (SEE PART NUMBER TABLE FOR ALL OPTIONS)
 - TOP & FRONT SURFACES TO BE CLEARLY MARKED AS SHOWN.
 - SWITCHES TO BE BLACK WITH WHITE ACTUATORS AND MARKINGS.
 - ALL MATERIAL AND FINISHES SHALL COMPLY WITH EU DIRECTIVE 2002/95/EC OF 27JAN2003 (ROHS)
- △ OBSOLETE PARTS: OBSOLETE CIS STREAMLINING PER D.RENAUD/D.SINISI

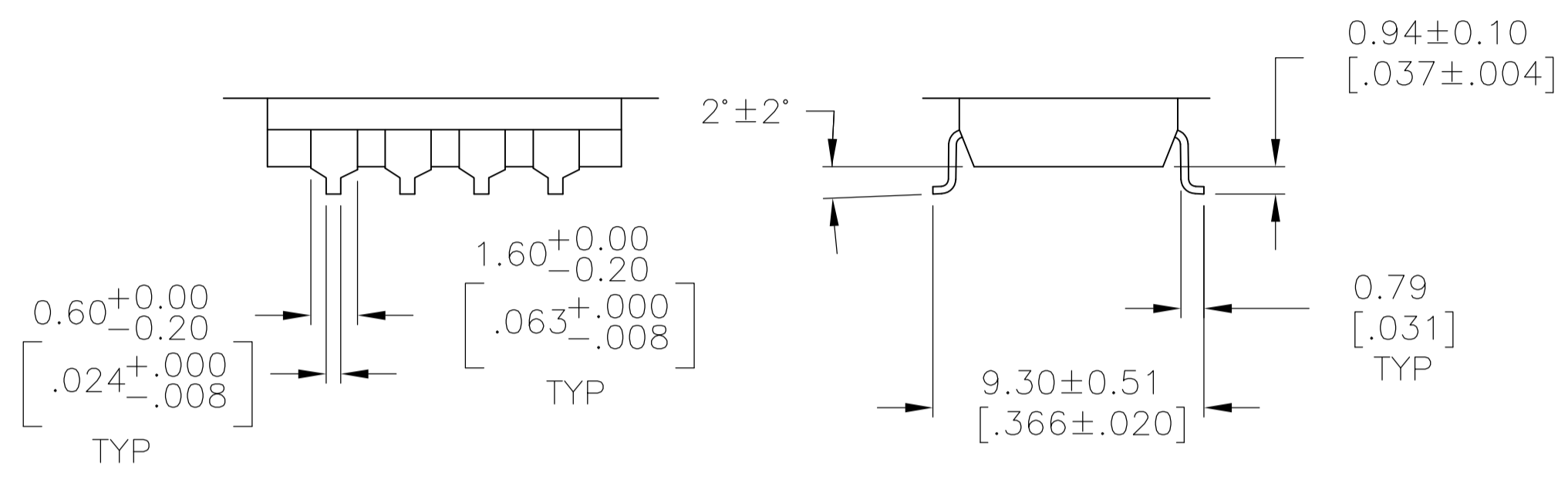
SEE SHEET 2 FOR SURFACE MOUNT OPTIONS AND DIMENSIONS.

THIS DRAWING IS A CONTROLLED DOCUMENT.

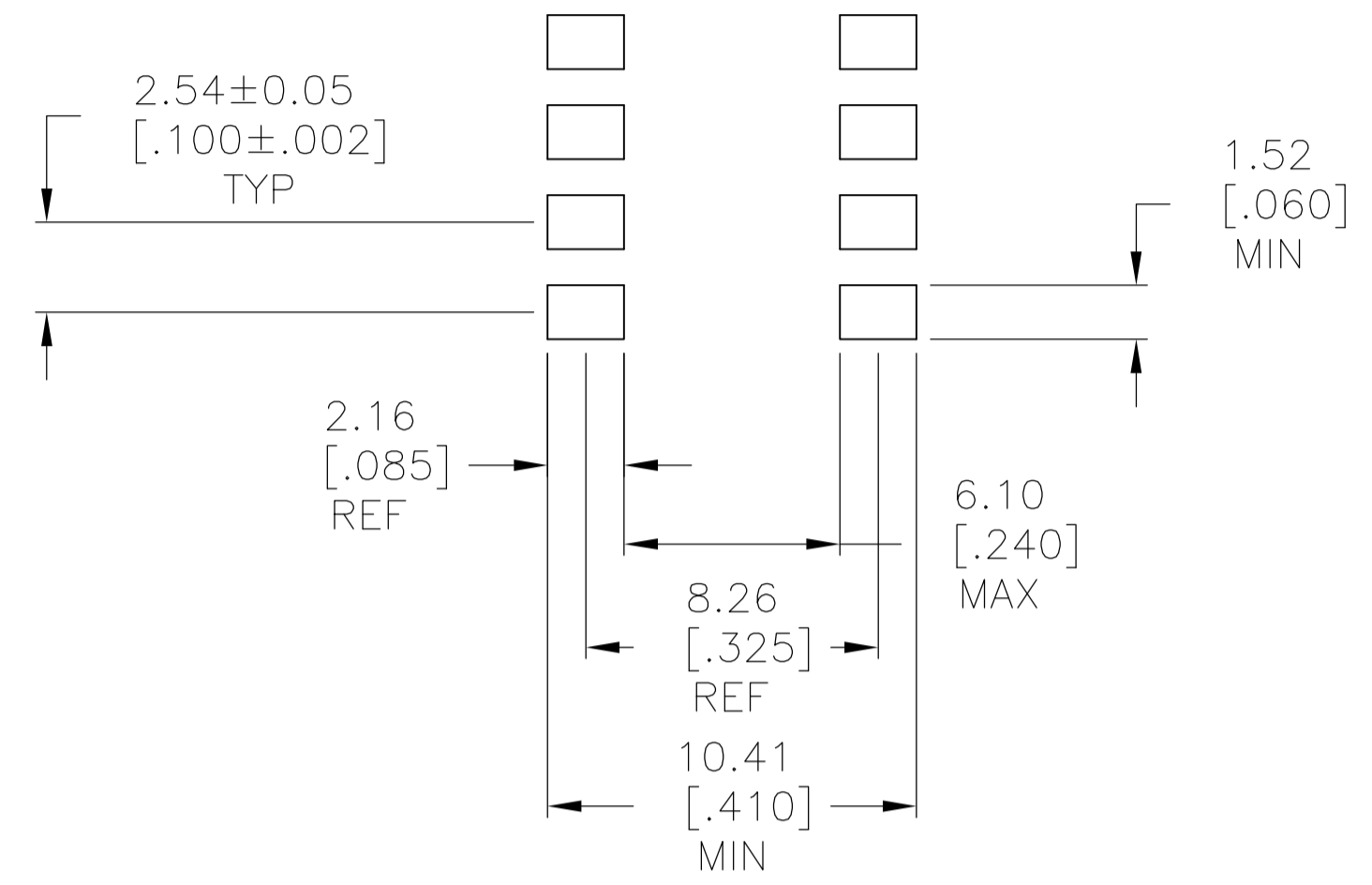
| | | | | |
|-------------------------|----------------------------------------|----------------------|-----------------------|-----------|
| DIMENSIONS: mm [INCHES] | TOLERANCES UNLESS OTHERWISE SPECIFIED: | DIN M BINNER 14FEB05 | APVD M SARVER 15FEB05 | NAME |
| 0 PLC ± - | 1 PLC ± - | 2 PLC ± - | 3 PLC ± 0.12(0.31) | 4 PLC ± - |
| ANGLES ± 1° | | | | |
| MATERIAL | FINISH | WEIGHT | SIZE | CAGE CODE |
| | | | A1 | 00779 |
| | | | 1571999 | |

STE TE Connectivity
DIP SWITCH ASSEMBLY
ADP/PA SERIES

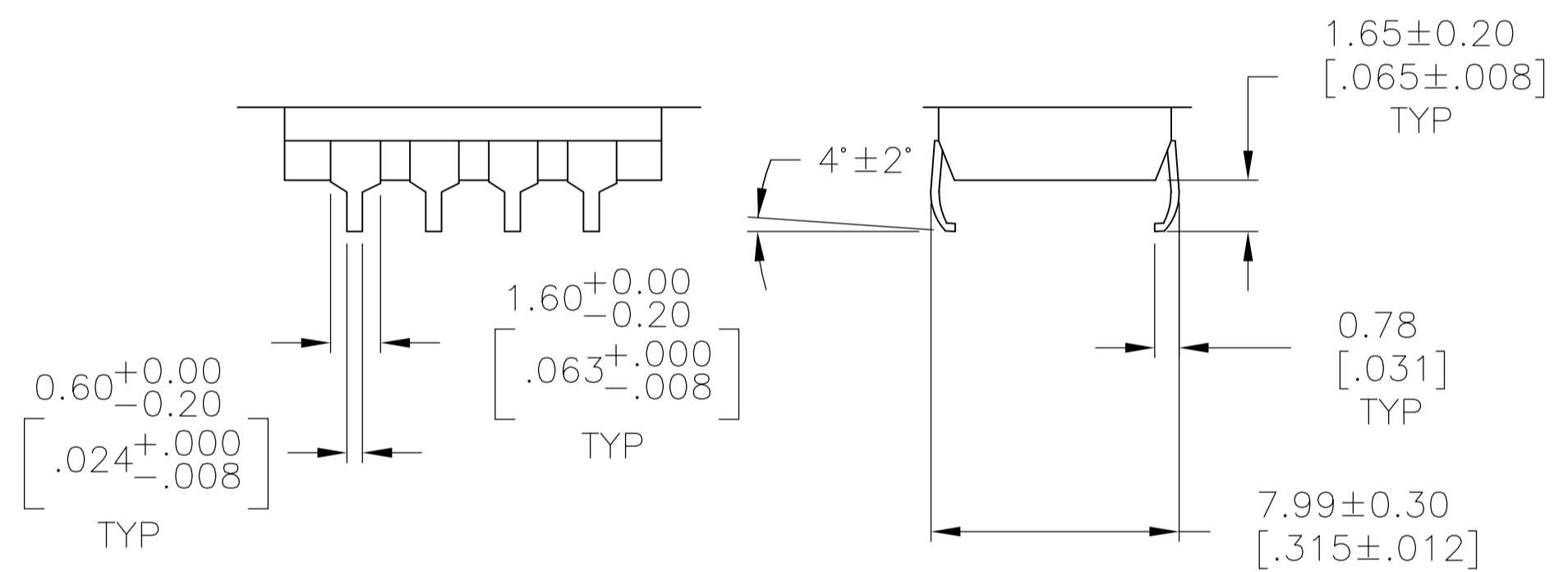
CUSTOMER DRAWING SCALE 1:1 SHEET 1 OF 2 REV D4



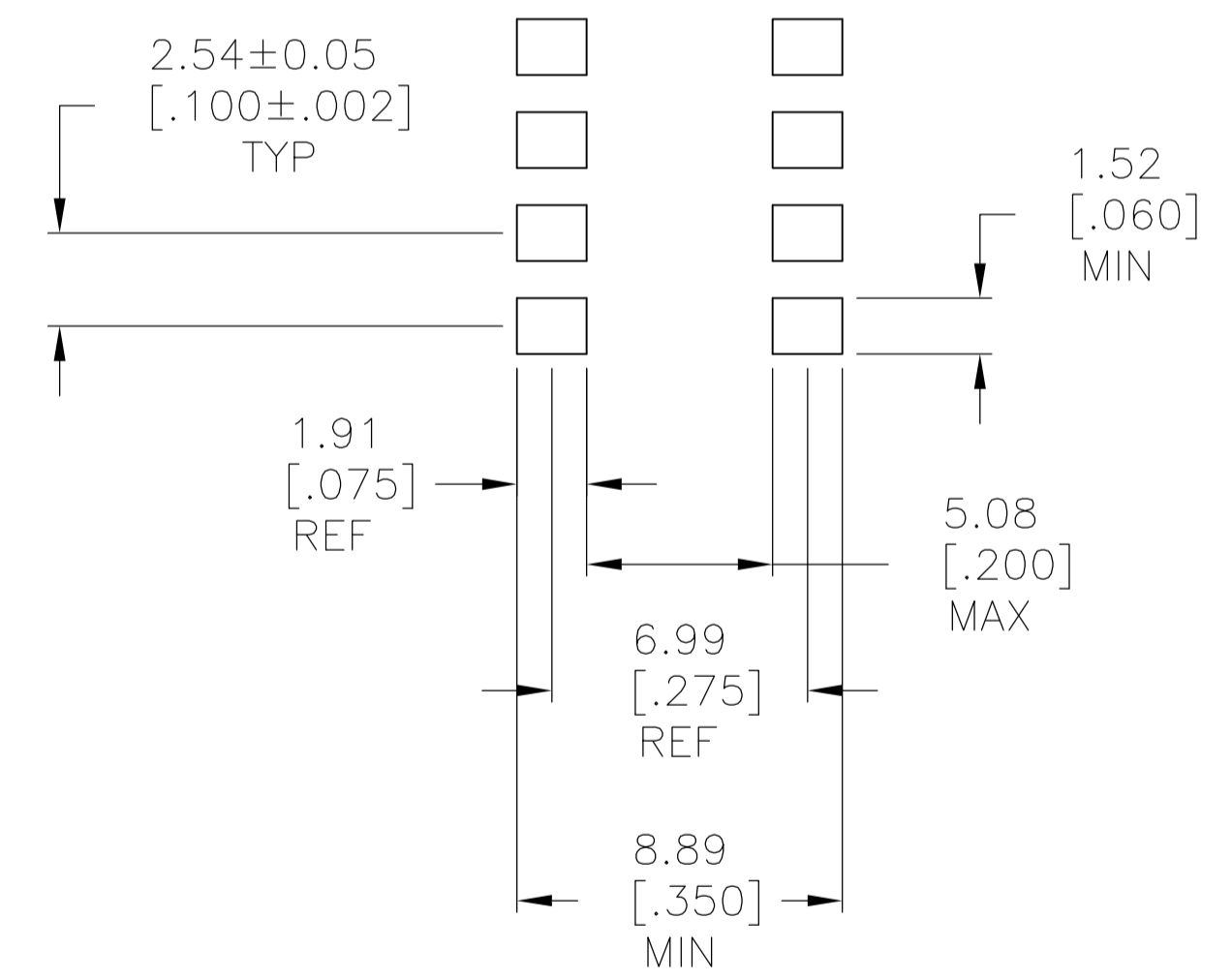
SURFACE MOUNT
"S" TERMINATION



RECOMMENDED PAD LAYOUT
SURFACE MOUNT
"S" TERMINATION



SURFACE MOUNT
"SA" TERMINATION



RECOMMENDED PAD LAYOUT
SURFACE MOUNT
"SA" TERMINATION

| | | | | | |
|----------------------------------------|--|------------------|-----------|---------------------|---------------------|
| THIS DRAWING IS A CONTROLLED DOCUMENT. | | DIN | M. BINNER | 14FEB05 | TE Connectivity |
| DIMENSIONS: mm [INCHES] | | CHK | M. SARVER | 15FEB05 | |
| TOLERANCES UNLESS OTHERWISE SPECIFIED: | | APVD | | M. SARVER | 15FEB05 |
| 0. PLC ± - | | NAME | | DIP SWITCH ASSEMBLY | |
| 1. PLC ± - | | PRODUCT SPEC | | ADP/PA SERIES | |
| 2. PLC ± - | | APPLICATION SPEC | | SIZE | |
| 3. PLC ± .012(0.31) | | WEIGHT | | CAGE CODE | |
| 4. PLC ± ± 1° | | CUSTOMER DRAWING | | DRAWING NO | |
| MATERIAL | | FINISH | | RESTRICTED TO | |
| | | SCALE | | SHEET | |
| | | 1:1 | | 2 OF 2 | |
| | | REV | | D4 | |